

Screened Separable Connector for bushings with interface type C

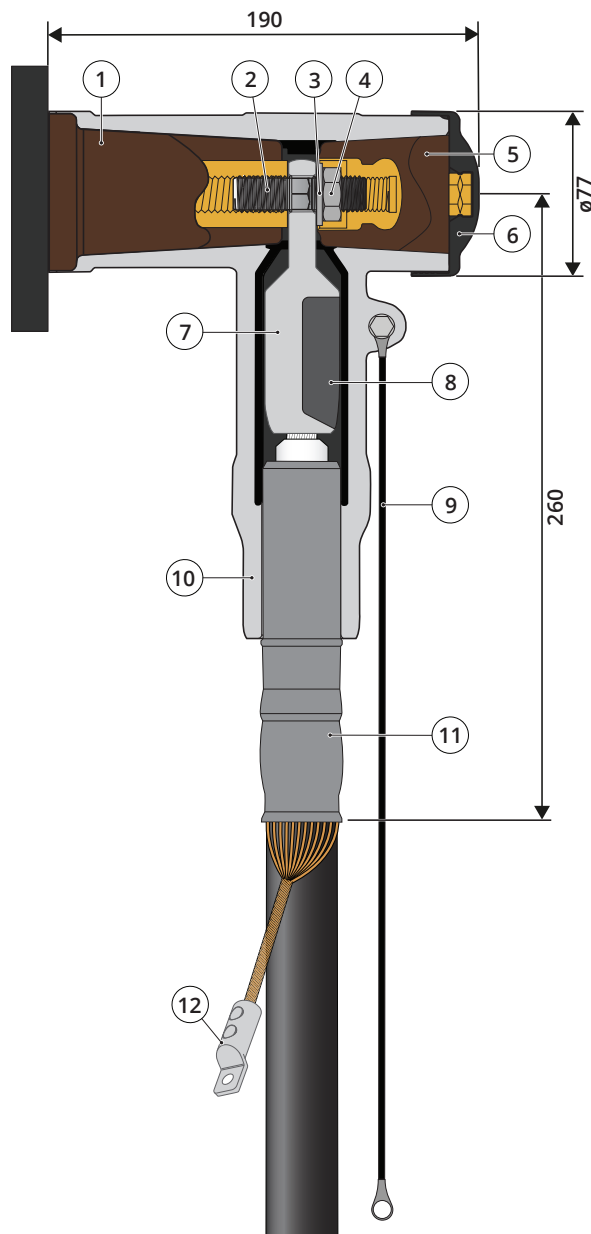
Description

CONT630-24 screened separable connectors are used for connecting 12 – 24 kV cables to transformers and switchgears. The nominal current of the connector is 630 A and it is suitable for use with bushings type C1/C2 according to EN 50180 and EN 50181.

The kit contains components for 1-core cables with Al/Cu conductor, polymeric insulation and Cu-wire screen.

Ensto part no	Rated maximum voltage	Conductor size 12kV	Conductor size 24kV	Insulation diameter
CONT630-24L95	12,7/22 (24) kV	25-95 mm ²	10-95 mm ²	12,7-25,2 mm
CONT630-24L150	12,7/22 (24) kV	95-150 mm ²	35-150 mm ²	17,0-33,6 mm
CONT630-24L240	12,7/22 (24) kV	95-240 mm ²	50-240 mm ²	17,0-33,6 mm
CONT630-24L300	12,7/22 (24) kV	240-300 mm ²	120-300 mm ²	23,3-38,5 mm

* Dimensions are indicative



Description	
1	Interface type C bushing (not included)
2	Threaded pin
3	Spring washer
4	Hexagon nut
5	Insulating plug
6	Covering cap
7	Mechanical cable lug
8	Lug cover
9	Earthing wire with lug
10	Screened separable connector, T-body
11	Stress control adapter
12	Mechanical cable lug